

Fire-resistant doors and screenings

45 / 60 / 90 and 120 minutes
in steel

forsterfuego®



 **KAWNEER**
AN ALCOA COMPANY

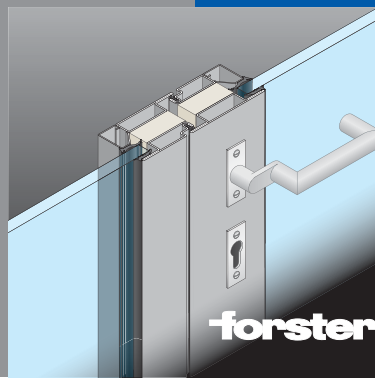
forster

STEEL AND STAINLESS STEEL PROFILE SYSTEMS

Tested and approved fire protection

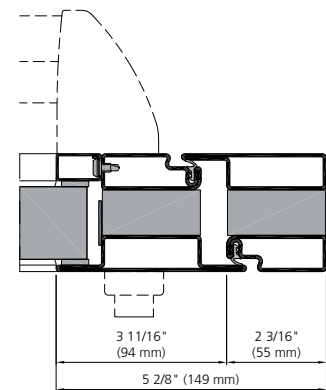
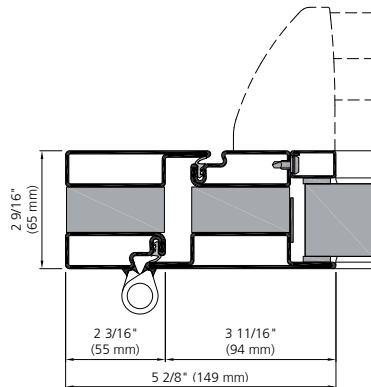
Forster fuego System for glazed
fire-resistant doors and screenings
45 / 60 / 90 and 120 minutes

Steel

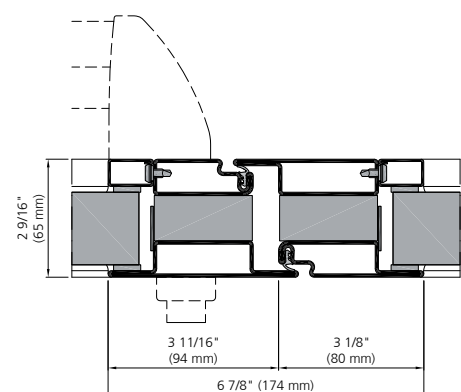
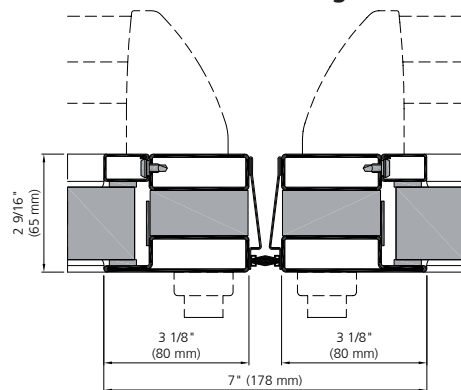


forster fuego®

60 / 90 minute stand alone door



60 / 90 minute door meeting stiles



Forster fuego is the tested and approved, very extensive complete profile system with fittings and accessories for flush single- and double-leaved glazed doors, as well as for generously proportioned glazed walls.

Areas subjected to a great deal of traffic demand robust constructions. The steel elements of Forster fuego satisfy the most stringent requirements with regard to technical functionality and extreme continuous stress.

Decisive advantages

High degree of aesthetic appeal

- Uniform look throughout on profiles and fittings. The Z-shaped profile allows maximum widths.

Locks and fittings (approved american hardware can be used)

- Fittings to match the system.
- Attractively shaped stainless steel handles set and slender roller door hinges.
- Concealed door-closing systems.

Safety and protection

- Fire-resistant doors in combination with smoke-resistant requirements.
- Fire-resistant screening 45 / 60 / 90 and 120 minutes
- Maximum safety that remains invisible.
- Passes positive pressure test standards UL 10C, UBC 7-2 and UBC 7-4 Listed and labeled by Underwriters Laboratories® and Underwriters Laboratories of Canada. File number for labeled 60 / 90 / 120 minute fire-rated assemblies is R-16641 / R-21835 design U533. Frame tests performed in accordance with ASTM E119, NFPA 251, UL 263, UL 9, UL 10C, UBC 7-2 and UBC 7-4. Door tests performed in accordance with UL 10B, UL 10C.

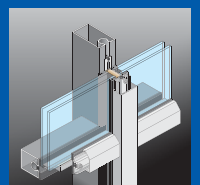
Creativity

- For all wall abutments: masonry, visible masonry, concrete, aerated concrete, single-plank walls.
- Prefabricated profiles for efficient processing, including assembly of the integrated door checks.

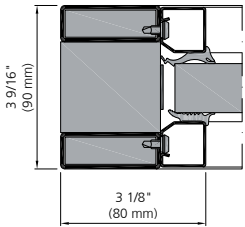
Fire-resistant curtain-wall

forster thermfix® vario

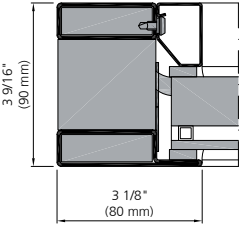
The slim, multifunctional mullion/transom system Forster thermfix vario completes the system range with a tested fire-resistant glazing 60 / 90 and 120 minutes available either in steel or in stainless steel. With a visible section width of only 45 mm, the system satisfies even the most exacting aesthetic demands.



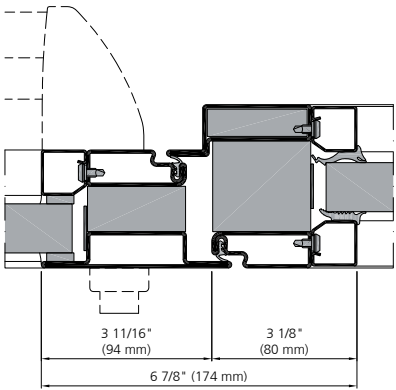
60 minute interior window



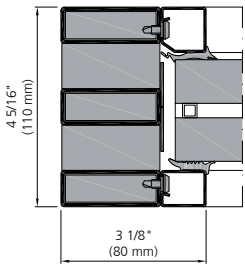
60 minute exterior window



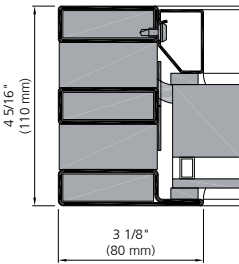
60 minute frame assembly with 90 minute door



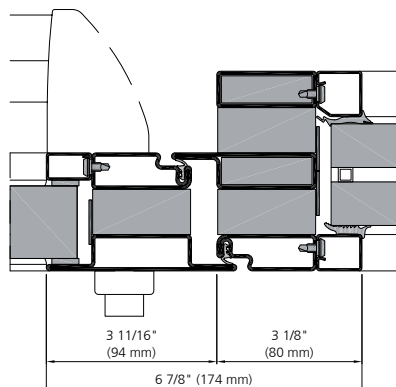
120 minute interior window



120 minute exterior window



120 minute frame assembly with 90 minute door



forster fuego[®]



forster

STEEL AND STAINLESS STEEL PROFILE SYSTEMS

in cooperation with

KAWNEER
AN ALCOA COMPANY

Forster Profile Systems
c/o Kawneer Company
Architectural Service Team
555 Guthridge Court
Norcross, GA 30092-3505
Tel. (770) 248-2783
Cell (518) 421-2330
Fax (877) 767-9102
forster.profile.usa@afg.ch

US/4-09

Forster Profile Systems Inc.
25 Gibson Street
NY 12189-3342 Watervliet

Headoffice
Forster Profile Systems
P.O. Box 400
CH-9320 Arbon
Tel. +41 71 447 43 43
forster.profile@afg.ch
www.forster-profile.ch

A company in the
AFG
Arbonia-Forster-Holding AG