

Curtain walls with thermal break

forsterthermfix[®] light
forsterthermfix[®] vario

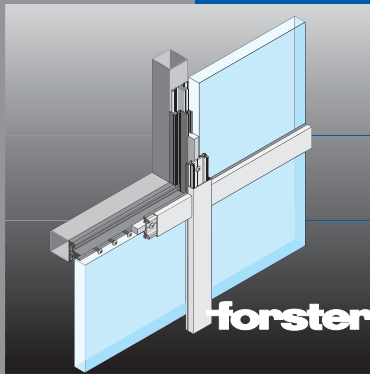
In steel and stainless steel



forster

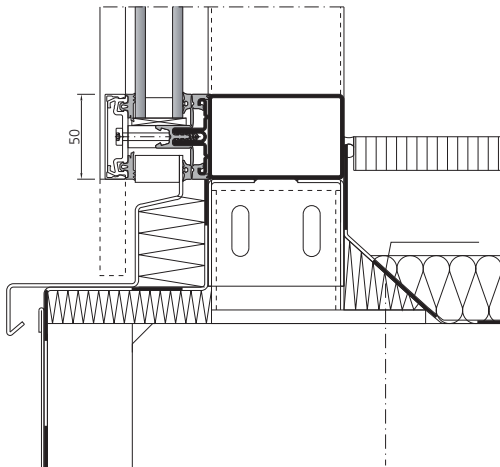
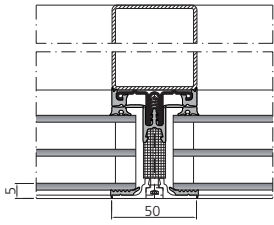
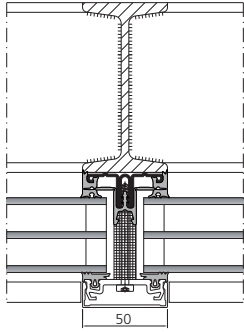
STEEL AND STAINLESS STEEL PROFILE SYSTEMS

Steel
Steel/Alu



forsterthermfix® light

Simple, fast, economical
Forster thermfix light System
with attachment profiles for
curtain walls with thermal break



Forster thermfix light 50 makes it possible to mount a sealing system on commercially-available steel and aluminium profiles as well as on wooden sub-structures. The sealing system is characterized by basic and quick processing and thus by improved economics.

Decisive advantages

Special touches thanks to variations in materials

- Sub-structures in steel, aluminium or wood
- Forster attachment profiles in steel or aluminium
- Aluminium cover sections

High degree of aesthetic appeal

- Thanks to extremely slender visible section width – 50 mm – and individual profile and surface design.

Performance

- Basic and quick processing because of few system components.

Safety and protection

- Thermal break: U_f-value 1.3 – 1.5 W/m²K (depending on the infill thickness) when using a rebate insulator
- Classification of CE testing according to EN 13830:
 - Air permeability according to EN 12153: AE 750
 - Water tightness according to EN 12155: R7 (600 Pa)
 - Resistance to wind load according to EN 12179: 3000 Pa
 - Dynamic rain impact resistance according to ENV 13050
 - Impact resistance according to EN 14019: I 5 (internal), E 5 (external)

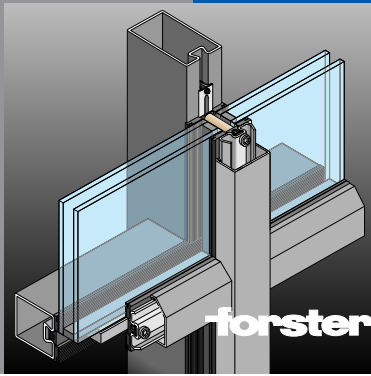
Creativity

- The system offers great configuration flexibility to both planner and architect because of the unlimited choice in the sub-structures.





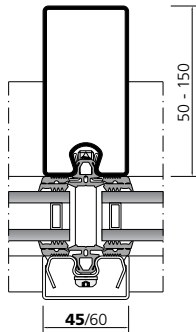
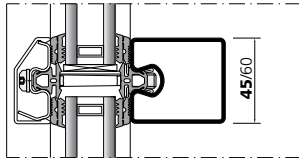
Steel
Steel/Alu
Steel/Stainless steel
Stainless steel



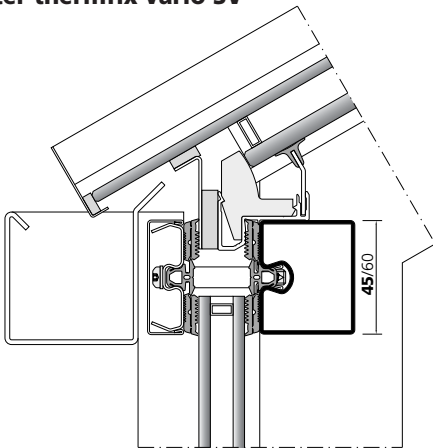
forsterthermfix® vario

Multifunctional
Forster thermfix vario System for
curtain walls with thermal break,
Frame material group 1

Forster thermfix vario



Forster thermfix vario SV



The system Forster thermfix vario is a mullion/transom construction with thermal break, based on the dry-glazing system. The inner steel or stainless steel profiles perform the bearing function.

Decisive advantages

Special touches thanks to variations in materials

- Steel
- Stainless steel
- Combinations of steel/aluminium/stainless steel

High degree of aesthetic appeal

- Thanks to extremely slender visible section width – **45 mm** – and individual profile and surface design.

Performance

- Impressive modular dimensions for generous appearance and large areas of transparency thanks to the statical advantage of steel and stainless steel profiles.

Safety and protection

- Thermal break: U_f -value 1.5 – 2.4 W/m²K
- CE marking according to EN 13830
- Air permeability and resistance to driving rain: stress group C
- Resistance to airborne noise: $R_w = 45$ dB noise protection category 4
- Burglar resistance: class 1-3
- Bullet proof: M1-SF, M2-SF, M3-SF
- Fire-protection: EI30 / EI60 / EI90 / E30-E90 / EW30-EW60

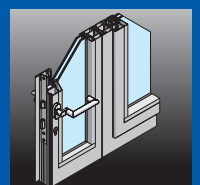
Creativity

- Perfectly harmonising components ensure an extraordinary potential for freedom of design.
- Trouble-free assembly using mechanical T-joints.
- In the version Forster thermfix vario SV, overhead glazing can be manufactured without compromise using the slender profile sections.

Windows and doors with thermal break



The system Forster unico completely made of steel has been developed for insulated windows and screenings in steel and stainless steel (U_f -value > 1.9 W/m²K) and can be equally well integrated into the curtain wall.



forsterthermfix[®] light
forsterthermfix[®] vario



forster
STEEL AND STAINLESS STEEL PROFILE SYSTEMS

Forster Profile Systems
P.O. Box 400
CH-9320 Arbon
Tel. +41 71 447 43 43
Fax +41 71 447 44 78
forster.profile@afg.ch
www.forster-profile.ch

A company in the
AFG
Arbonia-Forster-Holding AG

938366/3'000/1-09