

Curtain walls with thermal break

forsterthermfix[®] light
forsterthermfix[®] vario

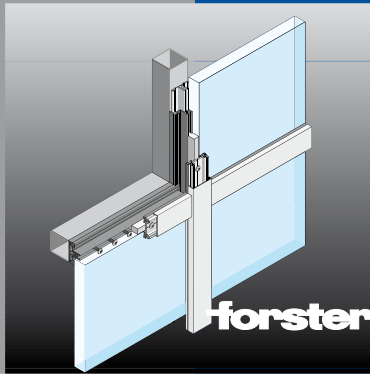
In steel and stainless steel



forster

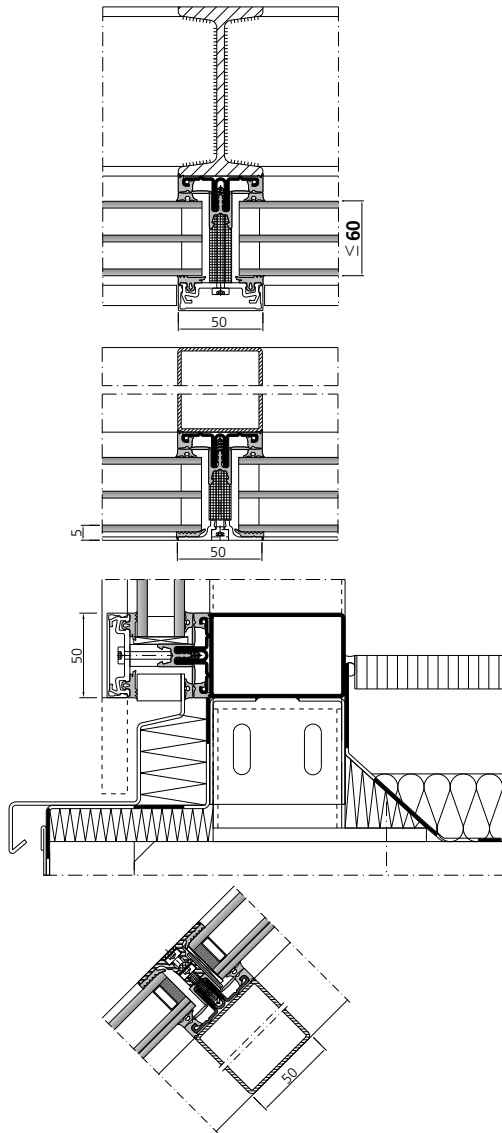
STEEL AND STAINLESS STEEL PROFILE SYSTEMS

Steel
Steel/Alu



forsterthermfix® light

Simple, fast, economical
Forster thermfix light System
with attachment profiles for
curtain walls with thermal break



Forster thermfix light 50 makes it possible to mount a sealing system on commercially-available steel and aluminium profiles as well as on wooden sub-structures. The sealing system is characterized by basic and quick processing and thus by improved economics.

Decisive advantages

Special touches thanks to variations in materials

- Sub-structures in steel, aluminium or wood
- Forster attachment profiles in steel or aluminium
- Aluminium cover sections

High degree of aesthetic appeal

- Thanks to extremely slender visible section width – **50 mm** – and individual profile and surface design.

Performance

- Basic and quick processing because of few system components.
- New: tested overhead glazing, slope 10-75°

Safety and protection

- Thermal break: U_f -value 1.1 – 2.2 $W/(m^2 \cdot K)$ (depending on the infill thickness) when using a rebate insulator
- Classification of CE testing according to EN 13830:
 - Air permeability according to EN 12153: AE 750
 - Water tightness according to EN 12155: R7 (600 Pa)
 - Resistance to wind load according to EN 12179: 3000 Pa
 - Dynamic rain impact resistance according to ENV 13050
 - Impact resistance according to EN 14019: I 5 (internal), E 5 (external)

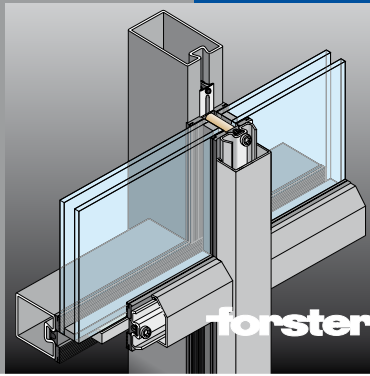
Creativity

- The system offers great configuration flexibility to both planner and architect because of the unlimited choice in the sub-structures.





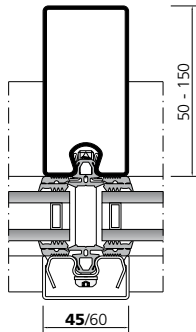
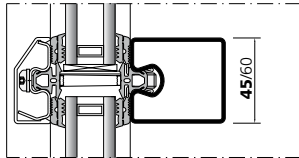
Steel
Steel/Alu
Steel/Stainless steel
Stainless steel



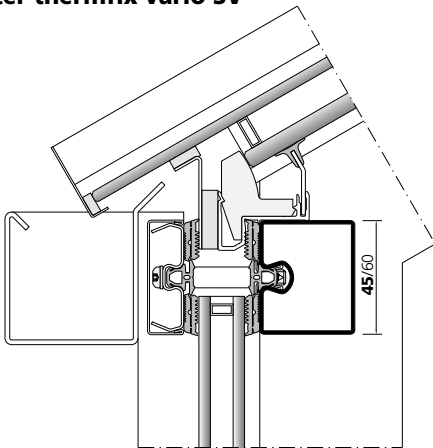
forsterthermfix® vario

Multifunctional Forster thermfix vario System for curtain walls with thermal break

Forster thermfix vario



Forster thermfix vario SV



The system Forster thermfix vario is a mullion/transom construction with thermal break, based on the dry-glazing system. The inner steel or stainless steel profiles perform the bearing function.

Decisive advantages

Special touches thanks to variations in materials

- Steel
- Stainless steel, grinded, 220-240 grain
- Combinations of steel/aluminium/stainless steel

High degree of aesthetic appeal

- Thanks to extremely slender visible section width – **45 mm** – and individual profile and surface design.

Performance

- Impressive modular dimensions for generous appearance and large areas of transparency thanks to the statical advantage of steel and stainless steel profiles.

Safety and protection

- Thermal break: U_f -value 1.5 – 2.4 W/(m²·K)
- CE marking according to EN 13830
- Air permeability and resistance to driving rain: stress group C
- Resistance to airborne noise: $R_w = 45$ dB noise protection category 4
- Burglar resistance: class 1-3
- Bullet proof: M1-SF, M2-SF, M3-SF
- Fire-protection: EI30 / EI60 / EI90 / E30-E90 / EW30-EW60

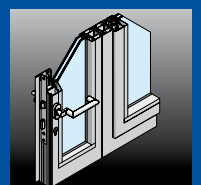
Creativity

- Perfectly harmonising components ensure an extraordinary potential for freedom of design.
- Trouble-free assembly using mechanical T-joints.
- In the version Forster thermfix vario SV, overhead glazing can be manufactured without compromise using the slender profile sections.

Windows and doors with thermal break

forsterunico® forsterunico® Hⁱ

The system Forster unico completely made of steel has been developed for insulated windows and screenings in steel and stainless steel (U_w -value of up to 1.0 W/(m²·K) and can be equally well integrated into the curtain wall.



forsterthermfix[®] light
forsterthermfix[®] vario



forster
STEEL AND STAINLESS STEEL PROFILE SYSTEMS

Forster Profile Systems
P.O. Box 400
CH-9320 Arbon
Tel. +41 71 447 43 43
Fax +41 71 447 44 78
forster.profile@afg.ch
www.forster-profile.ch



A company in the
AFG
Arbonia-Forster-Holding AG

938366/10013852/2'000/03-11