

Doors and windows with thermal break

forsterunico[®]

In steel and stainless steel



forster

STEEL AND STAINLESS STEEL PROFILE SYSTEMS

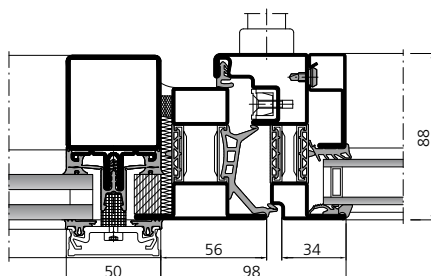
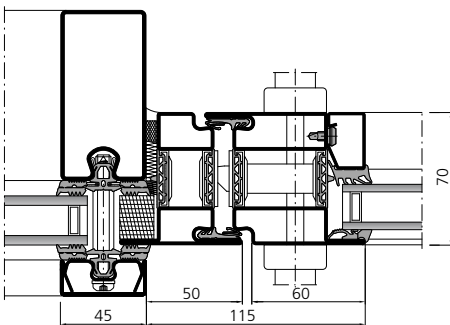
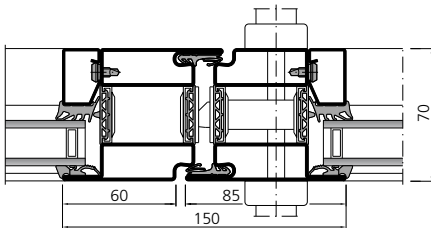
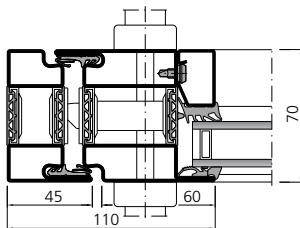
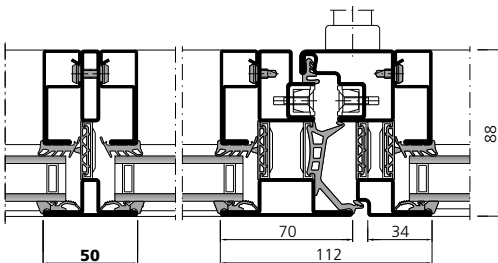
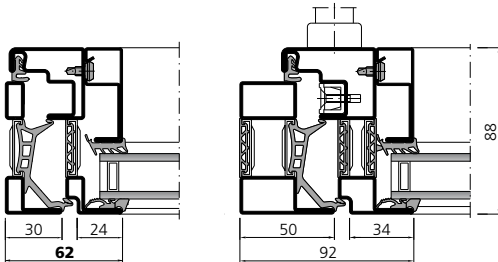
EDELSTAHL®
Rost
frei



Steel
Stainless steel

forsterunico®

Unique, made of 100% steel
Forster unico System for
windows, doors and screenings
with thermal break



Forster unico is the completely new, thermally insulated profile system with fittings and accessories for single and double-leaf doors, for windows as well as for exterior glazed units.

The basic profiles comprise 100% recyclable steel and contain no synthetic insulating materials – in contrast to all other insulated systems.

This innovation, uniquely evocative of a framework style of construction, satisfies the most stringent demands relating to physical and structural functions.

Decisive advantages

Special touches thanks to variations in materials

- Steel, bright
- Steel, continuously galvanized
- Stainless steel, grinded 220-240 grain

High degree of aesthetic appeal

- 30 - 90 mm
- Narrowest facing widths for window casements and overlapping casements
- Compatible with Forster fire and smoke protection systems

Performance

- The first ever thermally insulated profile system made entirely of steel without any synthetic insulating materials.
- Fillings up to 60 mm (triple insulation glass)

Locks and fittings

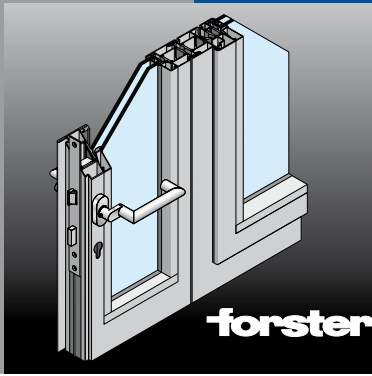
- Concealed Forster system fittings available for windows and doors
- RAL, CE and system-certified turn fittings / turn-tilt fittings for leaf weights of up to 150 kg

Safety and protection

- Thermal insulation according to EN 10077-2 : $U_f > 1.9 \text{ W}/(\text{m}^2 \cdot \text{K})$
- All system applications certified according to EN 14351-1 (CE marking)
- Burglar resistance RC 1-3 according to EN 1627 for windows, doors and screens
- Bullet proof FB4 according to EN 1522 for windows, doors and screens
- NRWG according to EN 12101-2 for turn and bottom hung windows

Creativity

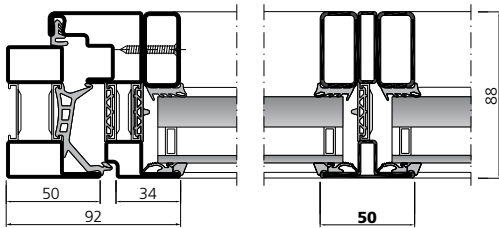
- The smart joining technology helps to minimise profile cross-sections.



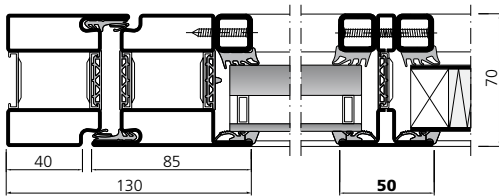
Steel
Stainless steel

forsterunico®

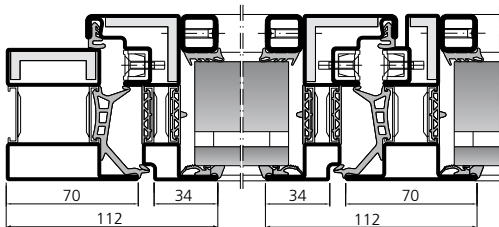
Burglar resistant windows RC3



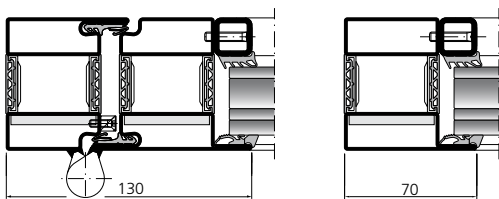
Burglar resistant doors RC3



Bullet resistant windows FB4



Bullet resistant doors FB4



New variants

Extremely slim profiles add to the range and open up new design options with high transparency, particularly in the field of renovation projects.

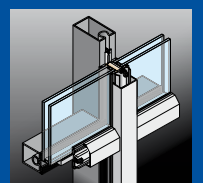
The Forster unico series has also been refined in terms of safety. This system can now also be used to manufacture burglar-resistant (WK1-3) and bullet-proof (FB4 NS) elements.

In addition, system solutions for natural-looking smoke- and heat dissipation equipment have been certified for turn and bottom hung windows in accordance with EN 12101-2.

Curtain walls with thermal break

forster thermfix®vario

The slender, multifunctional mullion/transom system Forster thermfix vario completes the system range as a curtain wall with thermal break in steel or in stainless steel. With a visible section width of only 45 mm the system satisfies even the most exacting aesthetic demands. The construction is designed as a dry/pressure glazing system and is also approved as fire- or smoke-resistant glazing (EI30 / EI60 / EI90 / E30).



forsterunico®



forster
STEEL AND STAINLESS STEEL PROFILE SYSTEMS

Forster Profile Systems
P.O. Box 400
CH-9320 Arbon
Tel. +41 71 447 43 43
Fax +41 71 447 44 78
forster.profile@afg.ch
www.forster-profile.ch



A company in the
AFG
Arbonia-Forster-Holding AG

928352/10013173/4'000/6-10